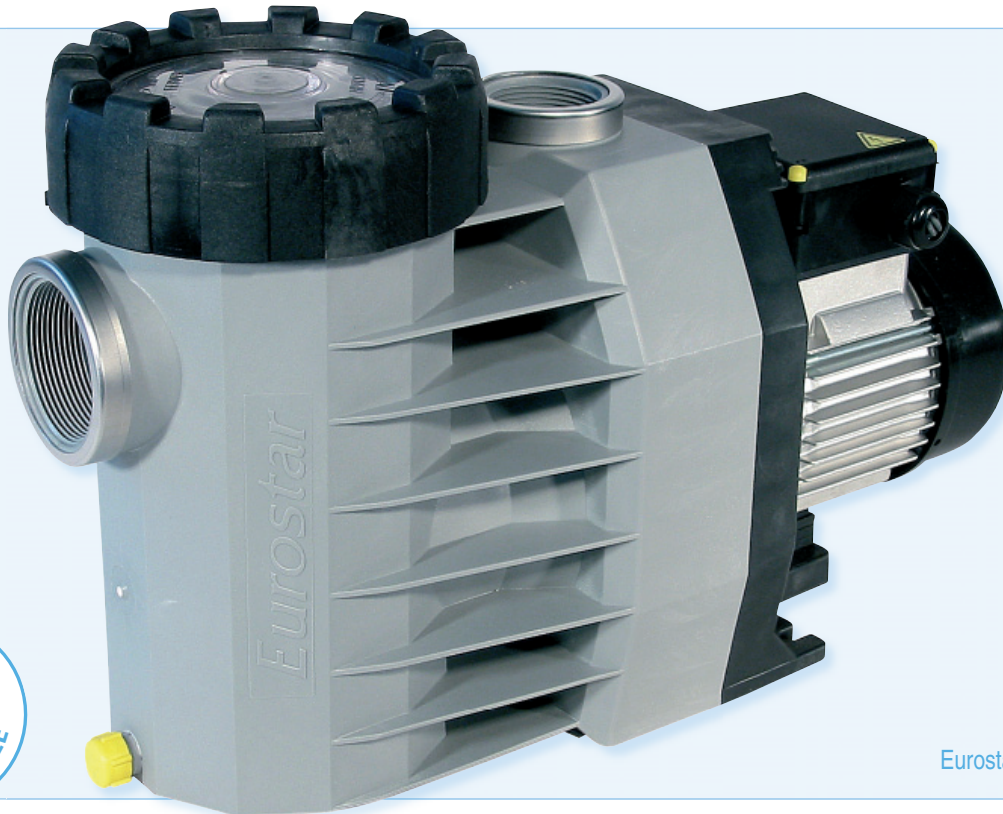


Eurostar II

Filtration pump

by PROCOPI



Eurostar II - 150-M



FEATURES

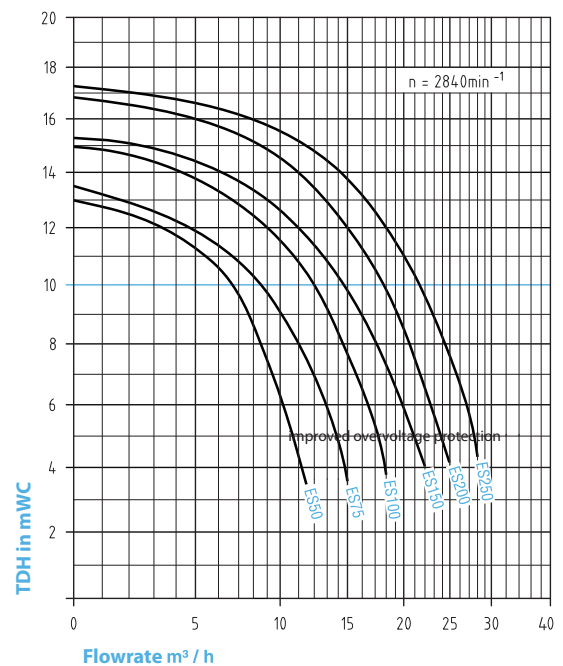
Drawing on experience gathered throughout the world, **EUROSTAR II** is a front runner in pool pump innovation:

- an extremely low noise level,
- large capacity prefilter, transparent lid, easy to handle,
- remarkable self-priming capacity,
- improved electrical protection.

When you choose a **EUROSTAR II** pump for your pool, you choose:

Quality, efficiency and innovation at the right price!

PERFORMANCE CURVE



Eurostar II

by PROCOPI

Connection compatibility:

EUROSTAR II can replace **EUROSTAR I** without changing the pipe work. Its inter axial distances are the same as **EUROSTAR I**, all parts are compatible.

Corrosion resistance:

The prefilter and pump body are made of talc-filled polypropylene, entirely immune to corrosion even in pools treated with salt electrolysis.

Self-priming:

The **EUROSTAR II** pump allows instant start up of the filtration

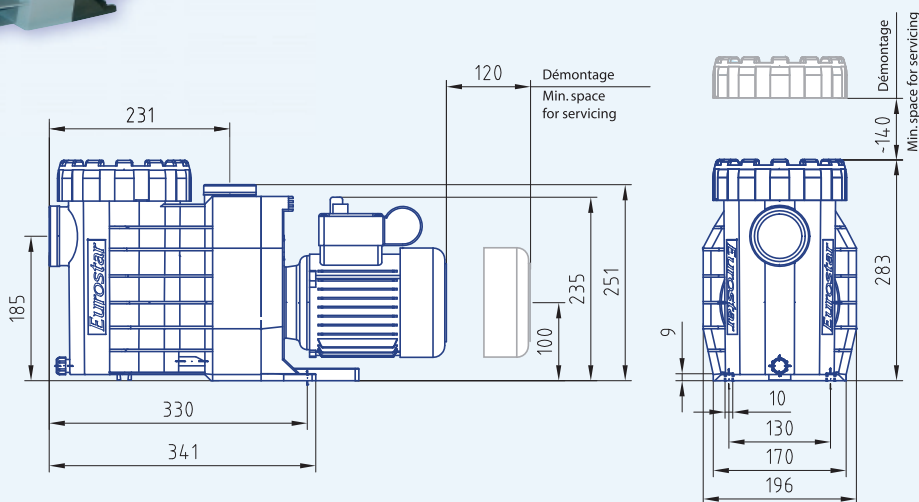
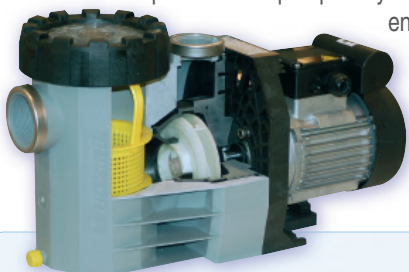
system and is ideal for running automatic pool cleaners.

A reliable mechanical seal:

The waterproof mechanical seal is mounted on a synthetic resin protective shaft.

Safe:

There is no contact between the motor shaft and the swimming pool water.



TECHNICAL DATA

EUROSTAR II	Flow rate (m³/h)	TDH (mWC)	Power kW		Voltage	Outlets	
			P1	P2		Suction	Return
50-M	7	10	0.58	0.30	1-ph	2"	1" 1/2
75-M	9	10	0.65	0.45	1-ph	2"	1" 1/2
100-M	12	10	0.97	0.65	1-ph	2"	1" 1/2
150-M	15	10	1.10	0.75	1-ph	2"	1" 1/2
200-M	18	10	1.30	1.05	1-ph	2"	1" 1/2
250-M	22	10	1.70	1.30	1-ph	2"	1" 1/2
75-T	9	10	0.65	0.45	3-ph	2"	1" 1/2
100-T	12	10	0.90	0.65	3-ph	2"	1" 1/2
150-T	15	10	1.00	0.75	3-ph	2"	1" 1/2
200-T	18	10	1.32	1.00	3-ph	2"	1" 1/2
250-T	22	10	1.65	1.30	3-ph	2"	1" 1/2
EUROSTAR II 60 HZ	Flow rate (m³/h)	TDH (mWC)	Power kW		Voltage	Outlets	
			P1	P2		Suction	Return
150-M	15	10	1.10	0.75	1-ph	2"	1" 1/2
200-M	18	10	1.50	1.05	1-ph	2"	1" 1/2
250-M	22	10	1.83	1.30	1-ph	2"	1" 1/2
150-T	15	10	1.00	0.75	3-ph	2"	1" 1/2
200-T	18	10	1.35	1.00	3-ph	2"	1" 1/2
250-T	22	10	1.74	1.30	3-ph	2"	1" 1/2

P1 indicates the total power consumed by the pump. Thus the value of P1 should be taken into consideration when choosing the thermal magnetic circuit breaker.

P2 indicates the power actually available at the motor shaft. Therefore P2 should be used to define the power of a pump.



Comes with a lid key



Optional tool bits for dismantling Eurostar pumps

Dealer's stamp:

Non-contractual document. Data is provided for information purposes only and may be subject to modification without prior notification. Copyright protected. Do not litter. Created by: Groupe PROCOPI (10/2008)